

# Cost-effective 19"/21"/23"/24" Cabinet for Server, Netowrk & Communication

## Features :

- Applications for server system, telecommunication system, community network, network system, monitoring system.
- Meets 19"/ 21"/ 23"/ 24" industrial standard, such as ANSI/EIA-RS-310C
- "D.I.Y." package for saving more freight cost and room.
- Four additional entries on the roof and plinth are good for the cable management.
- The vented design on the top panel , the bottom panel & the front door can efficiently reduce the interior heat for higher ventilation.
- Sponges on cable entries can block dusty and keep cable and keep the system secure.
- Design of the roof & the plinth for easily assembly & dismantled.
- Tempered on the door can keep security of the system and convenient to monitor the condition without opening the door.
- Powder coating for RoHS compliant .
- Black & Beige for color selections .
- All product are made in Taiwan.
- ODM & OEM product are welcomed to contact us.



CLM-20680-341 with four open doors



CLM-20680-341 with system

**Model No.**  
**CLM-2066-391**

Model No. of Cabinet	Width of cabinet	Depth of cabinet	Height of "U"	Color No.
----------------------	------------------	------------------	---------------	-----------

**Specification:**

Width: 600mm / 800mm for 19"/ 21"/ 23"/ 24"  
 Depth: 600mm / 700mm/ 800mm/ 900mm/ 1000mm  
 Height: 12U/ 16U/ 21U/ 25U/ 30U/ 34U/ 39U/ 43U  
 Color: RAL 9011(Black) / RAL 7035 (Beige)

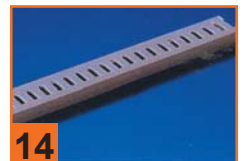
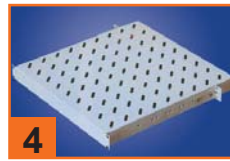
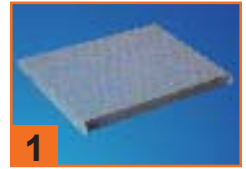


**Chun Long Technology Co., Ltd** 川龍科技股份有限公司  
 Website: [www.clm.com.tw](http://www.clm.com.tw)  
 Tel: +886-2-22828686  
 E-mail: [clm@clm.com.tw](mailto:clm@clm.com.tw)  
 Fax: +886-2-22822843  
 Address: No.19, Lane 222, Zhongshan 2nd Rd., Luzhou District, 247 Taipei, Taiwan

# Summary for CLM-20XXX-XX series cabinet

## Features :

- Applications for servers, networking system & monitoring system.
- With 19" / 21" / 23" / 24" industrial standard, such as ANSI/EIA-RS-310C
- Elegant design can be a wall decoration.
- Four additional entries on the roof and plinth are good for the cable management.
- The vented design on the top panel , the bottom panel & the front door can efficiently reduce the interior heat for higher ventilation.
- The sponges on cable entries can block dusty & keep cable and keep the system secure.
- Design of roof panel & bottom panel for easily assembled & dismantled.
- Tempered on the door can keep security of the system and convenient monitor condition without opening the door.
- Powder coating for RoHS compliant .
- Black & Beige for color selections .



CLM 20XXX-XX SERIES SERVER CABINET



CLM-20660-341 without any doors

### Standard Components:

1. Main Frame: CLM-882565-XX
2. Mounting Angle: CLM-612553-20XX
3. Front/ Rear Door: CLM-882005-XX / CLM-882010-XX
4. Side panel: CLM-882055-XX
5. Depth Stays: CLM-882567-00 for W600 cabinet  
CLM-882574-00 for W800 cabinet
6. Roof Panel: CLM-882563-XX
7. Plinth: CLM-882564-XX
8. Finished: Power coating in color RAL7035(Beige) or RAL9011(Black) as standard

### Pended No:

Taiwan : 187825, 181975  
190521, 181500  
91218223  
USA : 6,467,640, 09/975,940  
Germany : 20115454.4, 20111765.7  
China : ZL012231604.0  
012603147  
02233722.9



CLM-20680-161 with four leveling foot



19



20



21

**1 Cable Entry covered by a sponge**



**Cable Entry :**

Covered by a sponge to sperate dust and dangerous items.

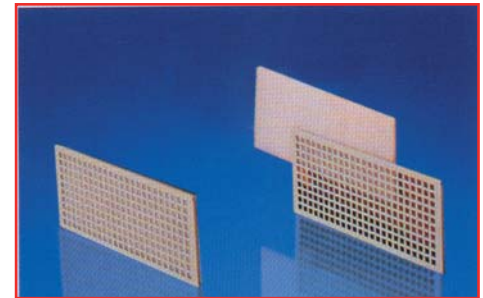
**2 Vented Roof**



**Vented Roof :**

Fans to improve the effeciency of heat-dissapting.

**3 Filter on the rear door**



**Filter(optional) :**

To filter air from dust and dangerous objects.

**4 Stronger Standing**



**Leveling Foot(optional) :**

To sustain a cabinet with stronger and more steady standings.

**5 Flexible Side Panel**



**Side Panel:**

Flexible design to meet customers' requirements.

**6 Petented Door Lock**



**Swing Lock:**

A petented lock to protect equipments from unauthorized operations.



CLM-20680-341 with four open doors



22



23



24

# 19" Server Cabinet/Rack CLM-20XXX series



## Model No. CLM-206XX series

All width in 600mm  
Depth in 600, 700, 800, 900, 1000mm

**Main Frame:** Sheet Steel

**Mounting Angle:** "F" shaped, Zinc-plated

**Front/ Rear Door:** Multi-function design door

**Side panel:** Swing or push-down style.

**Depth Stays:** 0 to 2 pairs dependent on the height, attached to main frame

**Roof Panel:** Sheet Steel with flexible heat-dissipating fans

**Plinth:** flat with one sponge

**Finished:** Power coating in color RAL7035(Beige) or RAL9011(Black) as standard

## Pended No:

Taiwan : 187825, 181975

190521, 181500

91218223

USA : 6,467,640, 09/975,940

Germany : 20115454.4, 20111765.7

China : ZL012231604.0

012603147

02233722.9

Specification									
Width(mm)	600	600	600	600	600	600	600	600	600
Depth(mm)	600	600	600	600	600	600	600	600	600
Height(mm)	600	800	1000	1200	1400	1600	1800	2000	2200
Height(U)	11	16	20	25	29	34	38	43	47
Model No.	CLM-20660-11	CLM-20660-16	CLM-20660-20	CLM-20660-25	CLM-20660-29	CLM-20660-34	CLM-20660-38	CLM-20660-43	CLM-20660-47
Max of Fans	6	6	6	6	6	6	6	6	6
No. Depth Stay	0	0	0	0	1	1	2	2	2

Specification									
Width(mm)	600	600	600	600	600	600	600	600	600
Depth(mm)	700	700	700	700	700	700	700	700	700
Height(mm)	600	800	1000	1200	1400	1600	1800	2000	2200
Height(U)	11	16	20	25	29	34	38	43	47
Model No.	CLM-20670-11	CLM-20670-16	CLM-20670-20	CLM-20670-25	CLM-20670-29	CLM-20670-34	CLM-20670-38	CLM-20670-43	CLM-20670-47
Max of Fans	6	6	6	6	6	6	6	6	6
No. Depth Stay	0	0	0	0	1	1	2	2	2

Specification									
Width(mm)	600	600	600	600	600	600	600	600	600
Depth(mm)	800	800	800	800	800	800	800	800	800
Height(mm)	600	800	1000	1200	1400	1600	1800	2000	2200
Height(U)	11	16	20	25	29	34	38	43	47
Model No.	CLM-20680-11	CLM-20680-16	CLM-20680-20	CLM-20680-25	CLM-20680-29	CLM-20680-34	CLM-20680-38	CLM-20680-43	CLM-20680-47
Max of Fans	9	9	9	9	9	9	9	9	9
No. Depth Stay	0	0	0	0	1	1	2	2	2

Specification									
Width(mm)	600	600	600	600	600	600	600	600	600
Depth(mm)	900	900	900	900	900	900	900	900	900
Height(mm)	600	800	1000	1200	1400	1600	1800	2000	2200
Height(U)	11	16	20	25	29	34	38	43	47
Model No.	CLM-20690-11	CLM-20690-16	CLM-20690-20	CLM-20690-25	CLM-20690-29	CLM-20690-34	CLM-20690-38	CLM-20690-43	CLM-20690-47
Max of Fans	9	9	9	9	9	9	9	9	9
No. Depth Stay	0	0	0	0	1	1	2	2	2

Specification									
Width(mm)	600	600	600	600	600	600	600	600	600
Depth(mm)	1000	1000	1000	1000	1000	1000	1000	1000	1000
Height(mm)	600	800	1000	1200	1400	1600	1800	2000	2200
Height(U)	11	16	20	25	29	34	38	43	47
Model No.	CLM-206100-11	CLM-206100-16	CLM-206100-20	CLM-206100-25	CLM-206100-29	CLM-206100-34	CLM-206100-38	CLM-206100-43	CLM-206100-47
Max of Fans	9	9	9	9	9	9	9	9	9
No. Depth Stay	0	0	0	0	1	1	2	2	2

# 19"/21"/23"/24" Server Cabinet/Rack



## Model No. CLM-208XX series

All width in 800mm  
Depth in 600, 700, 800, 900, 1000mm

**Main Frame:** Sheet Steel

**Mounting Angle:** "F" shaped, Zinc-plated

**Front/ Rear Door:** Multi-function design door

**Side panel:** Swing or push-down style.

**Depth Stays:** 0 to 2 pairs dependent on the height, attached to main frame

**Roof Panel:** Sheet Steel with flexible heat-dissipating fans

**Plinth:** flat with one sponge

**Finished:** Power coating in color RAL7035(Beige) or RAL9011(Black) as standard

## Pended No:

Taiwan : 187825, 181975

190521, 181500

91218223

USA : 6,467,640, 09/975,940

Germany : 20115454.4, 20111765.7

China : ZL012231604.0

012603147

02233722.9

Specification									
Width(mm)	800	800	800	800	800	800	800	800	800
Depth(mm)	600	600	600	600	600	600	600	600	600
Height(mm)	600	800	1000	1200	1400	1600	1800	2000	2200
Height(U)	11	16	20	25	29	34	38	43	47
Model No.	CLM-20860-11	CLM-20860-16	CLM-20860-20	CLM-20860-25	CLM-20860-29	CLM-20860-34	CLM-20860-38	CLM-20860-43	CLM-20860-47
Max of Fans	6	6	6	6	6	6	6	6	6
No. Depth Stay	0	0	0	0	1	1	2	2	2

Specification									
Width(mm)	800	800	800	800	800	800	800	800	800
Depth(mm)	700	700	700	700	700	700	700	700	700
Height(mm)	600	800	1000	1200	1400	1600	1800	2000	2200
Height(U)	11	16	20	25	29	34	38	43	47
Model No.	CLM-20870-11	CLM-20870-16	CLM-20870-20	CLM-20870-25	CLM-20870-29	CLM-20870-34	CLM-20870-38	CLM-20870-43	CLM-20870-47
Max of Fans	6	6	6	6	6	6	6	6	6
No. Depth Stay	0	0	0	0	1	1	2	2	2

Specification									
Width(mm)	800	800	800	800	800	800	800	800	800
Depth(mm)	800	800	800	800	800	800	800	800	800
Height(mm)	600	800	1000	1200	1400	1600	1800	2000	2200
Height(U)	11	16	20	25	29	34	38	43	47
Model No.	CLM-20880-11	CLM-20880-16	CLM-20880-20	CLM-20880-25	CLM-20880-29	CLM-20880-34	CLM-20880-38	CLM-20880-43	CLM-20880-47
Max of Fans	9	9	9	9	9	9	9	9	9
No. Depth Stay	0	0	0	0	1	1	2	2	2

Specification									
Width(mm)	800	800	800	800	800	800	800	800	800
Depth(mm)	900	900	900	900	900	900	900	900	900
Height(mm)	600	800	1000	1200	1400	1600	1800	2000	2200
Height(U)	11	16	20	25	29	34	38	43	47
Model No.	CLM-20890-11	CLM-20890-16	CLM-20890-20	CLM-20890-25	CLM-20890-29	CLM-20890-34	CLM-20890-38	CLM-20890-43	CLM-20890-47
Max of Fans	9	9	9	9	9	9	9	9	9
No. Depth Stay	0	0	0	0	1	1	2	2	2

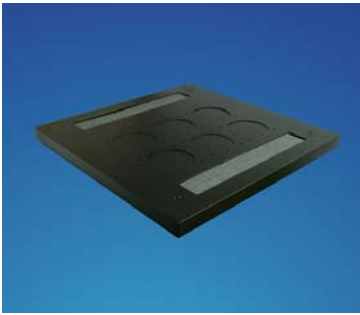
Specification									
Width(mm)	800	800	800	800	800	800	800	800	800
Depth(mm)	1000	1000	1000	1000	1000	1000	1000	1000	1000
Height(mm)	600	800	1000	1200	1400	1600	1800	2000	2200
Height(U)	11	16	20	25	29	34	38	43	47
Model No.	CLM-208100-11	CLM-208100-16	CLM-208100-20	CLM-208100-25	CLM-208100-29	CLM-208100-34	CLM-208100-38	CLM-208100-43	CLM-208100-47
Max of Fans	9	9	9	9	9	9	9	9	9
No. Depth Stay	0	0	0	0	1	1	2	2	2

CLM 20XX-XX SERIES SERVER CABINET

# Roof Panel Variants

For 20XXX-XX series

## Vented Fan-holes Roof Panel with sponges



### Features:

A flexible roof panel can assembly none or several fan to dissipate heat inside the cabinet and to maintain a good environment for the running system. The two entry in the front and rear side can be used to insert cables or some device and keep dust out of the cabinet by sponges.

It's a CLM-20XXX-XX series standard front door part.

**Material:** Thickness sheet steel with 3-12 vented fan-holes and two segment sponges.

**Finished:** powder coating in RAL 7035, RAL 9011

CLM Part No.	Width(mm)	Depth(mm)	Pack No.
882563-660	600	600	1
882563-670	600	700	1
882563-680	600	800	1
882563-690	600	900	1
882563-6100	600	1000	1
882563-860	800	600	1
882563-870	800	700	1
882563-880	800	800	1
882563-890	800	900	1
882563-8100	800	1000	1

CLM 20XXX-XX SERIES SERVER CABINET



Sample



Tool



Finished

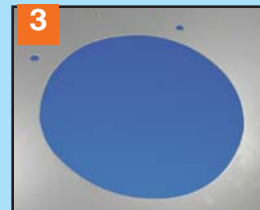
### Operations for setting two fans on the roof panel



1 Find out convex points



2 To cut 4 convex points off.



3 To appear an empty fan-hole for setting a fan



4 To put fan screw penetrate the fan guard and roof panel



5 To insert fan into screw on Roof panel .



6 To fix the screw-Nut tightly .

## Vented Fan-holes Roof Panel with sponges



### Features:

A flat bottom panel can prevent installed equipments and devices from the dust or objects under the cabinet. Two cable etnries on the front and rear of the panel can be cover by two sponges. Cables are allowed to insert into the cabinet by going through the sponges.

It's a CLM-20XXX-XX series standard front door part.

**Material:** Thickness sheet steel and two sponges

**Finished:** powder coating in RAL 7035, RAL 9011

CLM Part No.	Width(mm)	Depth(mm)	Pack No.
882564-660	600	600	1
882564-670	600	700	1
882564-680	600	800	1
882564-690	600	900	1
882564-6100	600	1000	1
882564-860	800	600	1
882564-870	800	700	1
882564-880	800	800	1
882564-890	800	900	1
882564-8100	800	1000	1

# Roof Panel Variants

For 20XXX-XX series

## Castor Kits on the bottom panel



### Features:

These kits are designed to connect four castors and the bottom panel.

It's a CLM-20XXX-XX series standard front door part.

**Material:** Thickness sheet steel and assembly parts.

**Finished:** powder coating in RAL 7035, RAL 9011

CLM Part No.	Pack No.
613318-013R	2
613318-013L	2

## Castor



CLM Part No.	Pack No.
662132-00	4

For problem-free location changes.

Dimension: Height in 65mm

Load capacity per castor:

25 kg static load

Supply Included :

8 x screws 12#24 "CLM-662056-10"

## Leveling Feet



CLM Part No.	Pack No.
662134-80	4

These leveling feet were optional accessories for stable and heavier loading on the ground.

**Load capacity per leveling foot:**  
300 Kg static load

## Hexagular Screw



CLM Part No.	SPEC	Pack No.
661202-20	M12*20L	4

## Hexagular Nuts

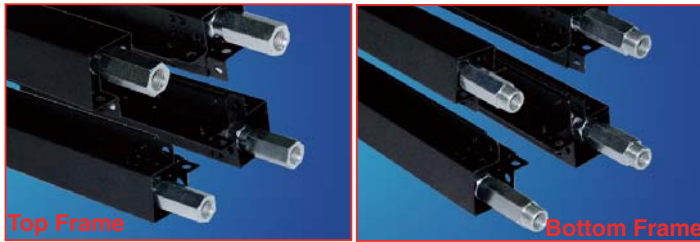


CLM Part No.	SPEC	Pack No.
661201-00	M16	4

# Front Door Variants

For 20XXX-XX series

## Main Frame Section



**Features:**

Outstanding Construction for stabler standing

It's a CLM-20XXX-XX series optional front door part.

**Material:** Thickness sheet steel

**Finished:** powder coating in RAL 7035, RAL 9011

CLM Part No.	Height(mm)	U	SU	Pack No.
882565-611	600	11	19	4
882565-615	600	16	26	4
882565-620	600	20	35	4
882565-624	600	25	42	4
882565-629	600	29	51	4
882565-633	600	34	58	4
882565-638	600	38	67	4
882565-642	600	43	74	4
882565-647	600	47	83	4

## Flat Steel Frame with Tempered Glass



**Features:**

A tempered glass can provide a higher protection out of outside damages and a clear view to monitor the status of facilities installed in the cabinet. A handle swing lock(patent) can provide more secure environment from unauthorized accesses. The maximum angle between a door and a front frame can be 160° without taking it out. The door can be swing from the right side or the left side, dependent on applications.

It's a CLM-20XXX-XX series optional front door part.

**Material:** Thickness sheet steel  
3.0mm tempered Glass & assembly parts

**Finished:** powder coating in RAL 7035, RAL 9011

CLM Part No.	Width(mm)	Height(mm)	U
882004-611	600	600	11
882004-615	600	800	16
882004-620	600	1000	20
882004-624	600	1200	25
882004-629	600	1400	29
882004-633	600	1600	34
882004-638	600	1800	38
882004-642	600	2000	43
882004-647	600	2200	47
882004-820	800	1000	20
882004-824	800	1200	25
882004-829	800	1400	29
882004-833	800	1600	34
882004-838	800	1800	38
882004-842	800	2000	43
882004-847	800	2200	47

## Vented Steel Frame with Tempered Glass



**Features:**

Numerous vented holes can provide a better ventilation for a cabinet, and increase dissipating-heat efficiency. A tempered glass can provide a higher protection out of outside damages and a clear view to monitor the status of facilities installed in the cabinet. A handle swing lock(patent) can provide more secure environment from unauthorized accesses. The maximum angle between a door and a front frame can be 160° without taking it out. The door can be swing from the right side or the left side, dependent on applications.

It's a CLM-20XXX-XX series standard front door part.

**Material:** Thickness sheet steel  
3.0mm tempered Glass & assembly parts

**Finished:** powder coating in RAL 7035, RAL 9011

CLM Part No.	Width(mm)	Height(mm)	U
882005-611	600	600	11
882005-615	600	800	16
882005-620	600	1000	20
882005-624	600	1200	25
882005-629	600	1400	29
882005-633	600	1600	34
882005-638	600	1800	38
882005-642	600	2000	43
882005-647	600	2200	47
882005-820	800	1000	20
882005-824	800	1200	25
882005-829	800	1400	29
882005-833	800	1600	34
882005-838	800	1800	38
882005-842	800	2000	43
882005-847	800	2200	47



# Front Door Variants

For 20XXX-XX series

## F-shaped mounting angles, for 19" Cabinet



These "F" Mounting Angles are punching on a "U" pitch pattern in square holes on a 25mm DIN 43660 pitch pattern are provided for front and rear mounting and internal Front/Rear fixing available.  
Direct attached to 600mm cabinet's main frame for mounting slide-in 19" Rack-mounted components

**Material:** Extruded aluminum section #6063 alloy.

**Supply Includes:** 1. 4 pcs mounting angles  
2. assembly parts:  
662009-12 M6 25 or 50 pcs M6x12  
& 882003-06 25 pcs or 50 pcs M6x5.7  
cage Nuts 662028-10 16 pcs

**Finished:** Zinc-plated

CLM Part No.	U	Height mm	Cabinet Model No.
612553-2011	11	600	CLM-20XXX-11
612553-2016	16	800	CLM-20XXX-16
612553-2020	20	1000	CLM-20XXX-20
612553-2025	25	1200	CLM-20XXX-25
612553-2029	29	1400	CLM-20XXX-29
612553-2034	34	1600	CLM-20XXX-34
612553-2038	38	1800	CLM-20XXX-38
612553-2043	43	2000	CLM-20XXX-43
612553-2047	47	2200	CLM-20XXX-47

## Vented Mesh Holes Front/Rear Door



### Features:

Numerous vented holes can provide a better ventilation for a cabinet , and increase higher dissipating-heat efficiency. The area of mesh partition is about 65% of the whole area. A handle swing lock(patent) can provide more secure environment from unauthorized accesses. The maximum angle between a door and a front frame can be 160° without taking it out. The door can be swing from the right side or the left side, dependent on applications.

It's a CLM-20XXX-XX series optional front door part.

**Material:** Thickness sheet steel with 5mm diameter holes & a swing-handle lock & assembly parts

**Finished:** powder coating in RAL 7035, RAL 9011

CLM Part No.	Width(mm)	Height(mm)	U
882128-611	600	600	11
882128-615	600	800	16
882128-620	600	1000	20
882128-624	600	1200	25
882128-629	600	1400	29
882128-633	600	1600	34
882128-638	600	1800	38
882128-642	600	2000	43
882128-647	600	2200	47
882128-820	800	1000	20
882128-824	800	1200	25
882128-829	800	1400	29
882128-833	800	1600	34
882128-838	800	1800	38
882128-842	800	2000	43
882128-847	800	2200	47

## Vented Front/Rear Door



### Features:

Numerous vented square holes can provide a better ventilation for a cabinet , and increase higher dissipating-heat efficiency. The area of mesh partition is about 65% of the whole area. A handle swing lock(patent) can provide more secure environment from unauthorized accesses. The maximum angle between a door and a front frame can be 160° without taking it out. The door can be swing from the right side or the left side, dependent on applications.

It's a CLM-20XXX-XX series optional front door part.

**Material:** Thickness sheet steel with 10mm square holes & a swing-handle lock & assembly parts

**Finished:** powder coating in RAL 7035, RAL 9011

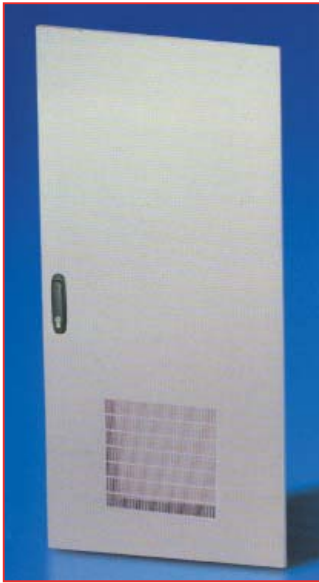
CLM Part No.	Width(mm)	Height(mm)	U
882009-611	600	600	11
882009-615	600	800	16
882009-620	600	1000	20
882009-624	600	1200	25
882009-629	600	1400	29
882009-633	600	1600	34
882009-638	600	1800	38
882009-642	600	2000	43
882009-647	600	2200	47
882009-820	800	1000	20
882009-824	800	1200	25
882009-829	800	1400	29
882009-833	800	1600	34
882009-838	800	1800	38
882009-842	800	2000	43
882009-847	800	2200	47

# Rear Door Variants

For 20XXX-XX series

CLM 20XXX-XX SERIES SERVER CABINET

## Vented air-filter Rear/Front Door



### Features:

Vented square holes on the bottom of the door can provide a better ventilation for a cabinet with an optional filter. The mat filter can keep dust from the cabinet and the filter is washable. A handle swing lock(patent) can provide more secure environment from unauthorized accesses. The maximum angle between a door and a front frame can be 160° without taking it out.

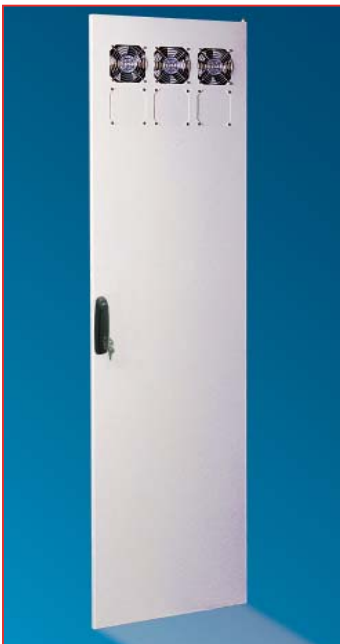
It's a CLM-20XXX-XX series standard rear door part.

**Material:** Thickness sheet steel with 10mm square holes & a swing-handle lock & assembly parts

**Finished:** powder coating in RAL 7035, RAL 9011

CLM Part No.	Width(mm)	Height(mm)	U
882010-611	600	600	11
882010-615	600	800	16
882010-620	600	1000	20
882010-624	600	1200	25
882010-629	600	1400	29
882010-633	600	1600	34
882010-638	600	1800	38
882010-642	600	2000	43
882010-647	600	2200	47
882010-820	800	1000	20
882010-824	800	1200	25
882010-829	800	1400	29
882010-833	800	1600	34
882010-838	800	1800	38
882010-842	800	2000	43
882010-847	800	2200	47

## Vented Front/Rear Door



### Features:

Six vented holes on the top of the door were designed to set fans (max to 6) for a better ventilation. A higher efficiency of heat-dissipation is better for a steady state running system. A handle swing lock(patent) can provide more secure environment from unauthorized accesses. The maximum angle between a door and a front frame can be 160° without taking it out. Fans are optional accessories.

It's a CLM-20XXX-XX series standard rear door part.

**Material:** Thickness sheet steel & 6 fan kits & a swing-handle lock & assembly parts

**Finished:** powder coating in RAL 7035, RAL 9011

CLM Part No.	Width(mm)	Height(mm)	U
882136-611	600	600	11
882136-615	600	800	16
882136-620	600	1000	20
882136-624	600	1200	25
882136-629	600	1400	29
882136-633	600	1600	34
882136-638	600	1800	38
882136-642	600	2000	43
882136-647	600	2200	47
882136-820	800	1000	20
882136-824	800	1200	25
882136-829	800	1400	29
882136-833	800	1600	34
882136-838	800	1800	38
882136-842	800	2000	43
882136-847	800	2200	47

## Filter Mats for free-dust



### Feature:

Made of chopped-fiber mat with a progressive structure

### Technical Assembly:

Dirty air end: Open Steel Frame structure to wash the filtermat and Closed structure.

### Material:

Chemical fibers Washable

**Package:** packs of 10

**Color:** white & black

MAT					
CLM Part No.	U	SU	Height mm	Set of	CTN
512008-11	11	19	600	1	10
512008-15	15	26	800	1	10
512008-20	20	35	1000	1	10
512008-24	24	42	1200	1	10
512008-29	29	51	1400	1	10
512008-33	33	58	1600	1	10
512008-38	38	67	1800	1	10
512008-42	42	74	2000	1	10
512008-47	47	83	2200	1	10

# Rear Door Variants

For 20XXX-XX series

## Flat Rear Door



### Features:

The door has no any hole and can protect equipments installed in the cabinet from any outside dust or smoke to break the running system. A cycular lock is easy to open or close in a short time. The maximum angle between a door and a front frame can be 160° without taking it out. The door can be swing from the right side or the left side, dependent on applications.

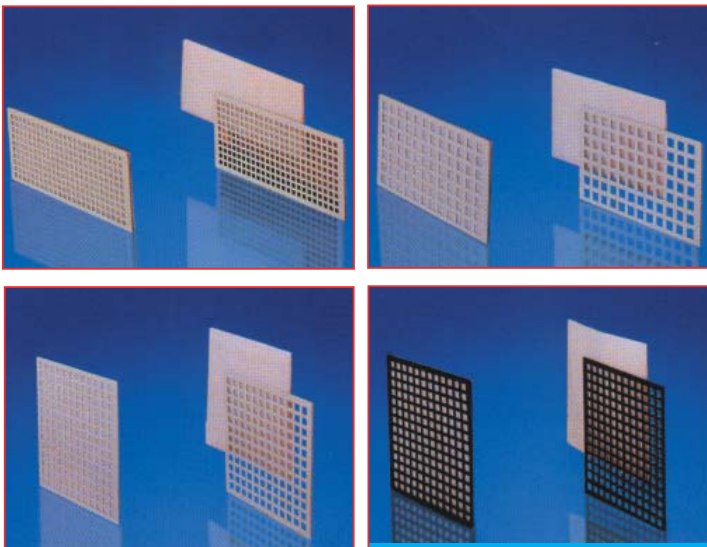
It's a CLM-20XXX-XX series optional rear door part.

**Material:** Thickness sheet steel & a cycular lock & assembly parts  
**Finished:** powder coating in RAL 7035, RAL 9011

CLM Part No.	Width(mm)	Height(mm)	U
882324-611	600	600	11
882324-615	600	800	16
882324-620	600	1000	20
882324-624	600	1200	25
882324-629	600	1400	29
882324-633	600	1600	34
882324-638	600	1800	38
882324-642	600	2000	43
882324-647	600	2200	47
882324-820	800	1000	20
882324-824	800	1200	25
882324-829	800	1400	29
882324-833	800	1600	34
882324-838	800	1800	38
882324-842	800	2000	43
882324-847	800	2200	47

CLM 20XXX-XX SERIES SERVER CABINET

## Filter Holder for filter mats to install on airflow rear door



A filter holder with mat is required in order to keeps dust outside. Teh filter mat is washerable .

### Material:

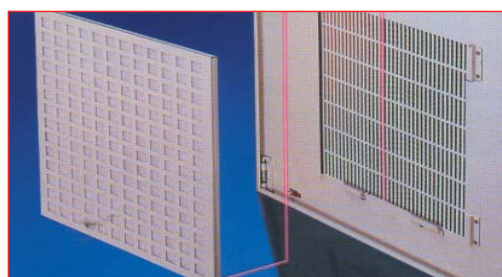
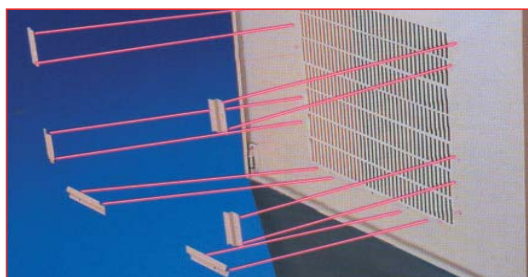
Sheet Steel , mats frame

### Package:

- 3x Brackets to fix holder on door
- filter mats Assembly parts Included.
- Finished : Powder coating in coler RAL7035 & RAL9011

MAT					
CLM Part No.	U	SU	Height mm	Set of	CTN
882057-11	11	19	600	1	10
882057-15	16	26	800	1	10
882057-20	20	35	1000	1	10
882057-24	25	42	1200	1	10
882057-29	29	51	1400	1	10
882057-33	34	58	1600	1	10
882057-38	38	67	1800	1	10
882057-42	43	74	2000	1	10
882057-47	47	83	2200	1	10

MAT FRAME					
CLM Part No.	L	A	P	Height mm	CLM Part No.
612052-11	114	27	60	600	882043-06.11
612025-20	169	24	120	1000	882043-10.20
612025-24	224	22	180	1200	882043-11.24
612025-29	279	19	240	1400	882043-12.29
612025-33	334	32	270	1600	882043-13.33
612025-38	389	29	330	1800	882043-14.38
612025-42	444	27	390	2000	882043-15.42
612025-47	499	24	450	2200	882043-16.47



# Side Door Variants

For 20XXX-XX series

## Push-down Side Panel / Rear Door



### Features:

A flat panel can keep the damage out of the running system, such as dust and living animals. Two to four cycular locks make the panel easy to remove after unlocking it. A removable door makes a larger room for operators.

It's a CLM-20XXX-XX series standard side door part.

**Material:** Thickness sheet steel & 2~6 cycular locks & assembly parts

**Finished:** powder coating in RAL 7035, RAL 9011

CLM Part No.	Width (mm)	Height (mm)	U	CLM Part No.	Width (mm)	Height (mm)	U
882055-611	600	600	11	882055-911	900	600	11
882055-615	600	800	15	882055-915	900	800	15
882055-620	600	1000	20	882055-920	900	1000	20
882055-624	600	1200	24	882055-924	900	1200	24
882055-629	600	1400	29	882055-929	900	1400	29
882055-633	600	1600	33	882055-933	900	1600	33
882055-638	600	1800	38	882055-938	900	1800	38
882055-642	600	2000	42	882055-942	900	2000	42
882055-647	600	2200	47	882055-947	900	2200	47
882055-711	700	600	11	882055-1011	1000	600	11
882055-715	700	800	15	882055-1015	1000	800	15
882055-720	700	1000	20	882055-1020	1000	1000	20
882055-724	700	1200	24	882055-1024	1000	1200	24
882055-729	700	1400	29	882055-1029	1000	1400	29
882055-733	700	1600	33	882055-1033	1000	1600	33
882055-738	700	1800	38	882055-1038	1000	1800	38
882055-742	700	2000	42	882055-1042	1000	2000	42
882055-747	700	2200	47	882055-1047	1000	2200	47
882055-811	800	600	11				
882055-815	800	800	15				
882055-820	800	1000	20				
882055-824	800	1200	24				
882055-829	800	1400	29				
882055-833	800	1600	33				
882055-838	800	1800	38				
882055-842	800	2000	42				
882055-847	800	2200	47				

## Swing Side Panel / Rear Door



### Features:

A flat swing panel can keep the damage out of the running system, such as dust and living animals and the panel can be open from right or left side. Two to four cycular locks make the panel easy to remove after unlocking it. A removable door makes a larger room for operators.

It's a CLM-20XXX-XX series optional side door part.

**Material:** Thickness sheet steel & 2~6 cycular locks & assembly parts

**Finished:** powder coating in RAL 7035, RAL 9011

CLM Part No.	Width (mm)	Height (mm)	U	CLM Part No.	Width (mm)	Height (mm)	U
882011-611	600	600	11	882011-811	800	600	11
882011-615	600	800	15	882011-815	800	800	15
882011-620	600	1000	20	882011-820	800	1000	20
882011-624	600	1200	24	882011-824	800	1200	24
882011-629	600	1400	29	882011-829	800	1400	29
882011-633	600	1600	33	882011-833	800	1600	33
882011-638	600	1800	38	882011-838	800	1800	38
882011-642	600	2000	42	882011-842	800	2000	42
882011-647	600	2200	47	882011-847	800	2200	47
882011-711	700	600	11	882011-911	900	600	11
882011-715	700	800	15	882011-915	900	800	15
882011-720	700	1000	20	882011-920	900	1000	20
882011-724	700	1200	24	882011-924	900	1200	24
882011-729	700	1400	29	882011-929	900	1400	29
882011-733	700	1600	33	882011-933	900	1600	33
882011-738	700	1800	38	882011-938	900	1800	38
882011-742	700	2000	42	882011-942	900	2000	42
882011-747	700	2200	47	882011-947	900	2200	47

# Side Door Variants

For 20XXX-XX series

## Push-Down , Vented Side Panel



### Features:

A vented panel can improve a better ventilation for installation devices. The flat part can keep the damage out of the running system, such as dust and living animals. Two to four cycular locks make the panel easy to remove after unlocking it. A removable door makes a larger room for operators.

It's a CLM-20XXX-XX series optional side door part.

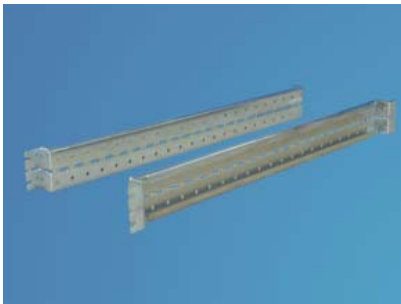
**Material:** Thickness sheet steel & 2-6 cycular locks & assembly parts

**Finished:** powder coating in RAL 7035, RAL 9011

CLM Part No.	Width (mm)	Height (mm)	U	CLM Part No.	Width (mm)	Height (mm)	U
882056-611	600	600	11	882056-911	900	600	11
882056-615	600	800	15	882056-915	900	800	15
882056-620	600	1000	20	882056-920	900	1000	20
882056-624	600	1200	24	882056-924	900	1200	24
882056-629	600	1400	29	882056-929	900	1400	29
882056-633	600	1600	33	882056-933	900	1600	33
882056-638	600	1800	38	882056-938	900	1800	38
882056-642	600	2000	42	882056-942	900	2000	42
882056-647	600	2200	47	882056-947	900	2200	47
882056-711	700	600	11	882056-1011	1000	600	11
882056-715	700	800	15	882056-1015	1000	800	15
882056-720	700	1000	20	882056-1020	1000	1000	20
882056-724	700	1200	24	882056-1024	1000	1200	24
882056-729	700	1400	29	882056-1029	1000	1400	29
882056-733	700	1600	33	882056-1033	1000	1600	33
882056-738	700	1800	38	882056-1038	1000	1800	38
882056-742	700	2000	42	882056-1042	1000	2000	42
882056-747	700	2200	47	882056-1047	1000	2200	47
882056-811	800	600	11				
882056-815	800	800	15				
882056-820	800	1000	20				
882056-824	800	1200	24				
882056-829	800	1400	29				
882056-833	800	1600	33				
882056-838	800	1800	38				
882056-842	800	2000	42				
882056-847	800	2200	47				

CLM 20XXX-XX SERIES SERVER CABINET

## F-shaped mounting angles, for 19" Cabinet



0-4 depth stays are punched round holes adjustable on a standard 25mm pitch pattern. The "U" shaped can hold more heavy objects.

This is CLM-20XXX-XX series standard parts.

**Material:** Sheet Steel

**Supply included:** assembly parts

**Finished:** Zinc Plated

**Specification:**

0 set, when a cabinet is 12U-25U,  
1 set, when a cabinet is 30U, 34U,  
2 sets, when a cabinet is 39U, 43U,

CLM Part No.	Cabinet		Pack No.
	Width (mm)	Height (mm)	
882567-60	600	600	2
882567-70	600	700	2
882567-80	600	800	2
882567-90	600	900	2
882567-100	600	1000	2
882574-60	800	600	2
882574-70	800	700	2
882574-80	800	800	2
882574-90	800	900	2
882574-100	800	1000	2

# Solutions of Cable Management

Optional Accessories



## Cable Management strips



The cable routing chamber has cutouts from above, into which the patch cables can be inserted. The cable management panel is equipped with a flap and quick-access to the cables from the rear.

**Material:** Sheet steel

**Supply Includes:** 1. cutout panel  
2. Assembly parts.

**Finished:** powder coating in color  
RAL 7035 or RAL 9011

CLM Part No.	U	Length mm	Pack No.
882142-1932	1	19"	1
882142-2132	1	21"	1
882142-2332	1	23"	1
882142-2432	1	24"	1

## Cable Shunting Strip , 1U



A multi-punched pitch pattern holes brackets for setting a lot of cable shunting rings to do a good cabling management control against mixing situation For mounting on 1 or 2 pair of (19")mounting angles.

**Material:** Sheet Steel

**Finished:** powder coating in color  
RAL 7035 or RAL 9011

CLM Part No.	Size Inch/mm	Pack No.	PCS/CTN
612122-619	19"/600	1	10
612122-21	21"	1	10
612122-723	23"/700	1	10
612122-24	24"	1	10
612122-80	800 mm	1	10
612122-90	900 mm	1	10
612122-100	1000 mm	1	10

Bracket Strips

Technical 1: Ass'y cable Management Strip

Part No: 882199-xx



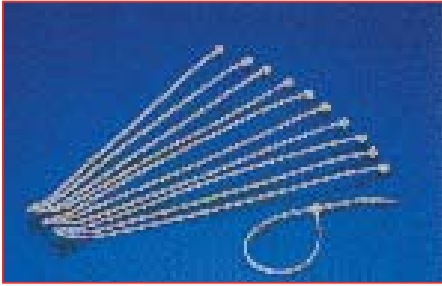
Technical 2: Ass'y power socket strip

Part No: 882061-xxx



# Solutions of Cable Management

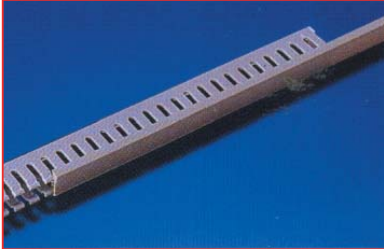
## Cable ties for quick assembly



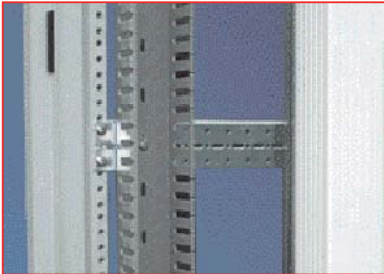
The super-fast solution for fixing cables to the Rack profile or mounting system parts, simply

CLM Part No.	Size Inch/mm	Pack No.
512014-10	100	100
512014-20	200	100
512014-25	250	100
512014-08	80	100

## Cable wiring duct



For side cable routing, the cable wiring duct is fastened to the side of the 482.6mm(19") mounting angles in an enclosure wide. the removable trimpanel. Which fastens onto the front and is secured with quick Release fasteners, provides convenient access to the cable distribution area.



**Material:**  
PVC Plastic

CLM Part No.	for "U" Cabinet	Dimension	Height mm	Pack
5120076606	11	60 X 60 X 11U	444.5	1
5120076608	15	60 X 60 X 15U	622.3	1
5120076610	20	60 X 60 X 20U	844.5	1
5120076612	24	60 X 60 X 24U	1022.3	1
5120076406	11	60 X 45 X 11U	444.5	1
5120076408	15	60 X 45 X 15U	622.3	1
5120076410	20	60 X 45 X 20U	844.5	1
5120076412	24	60 X 45 X 24U	1022.3	1
512007251511	11	25 X 15 X 10U	444.5	1
512007251515	15	25 X 15 X 14U	622.3	1
512007251520	20	25 X 15 X 19U	844.5	1
512007251524	24	25 X 15 X 23U	1022.3	1

## Cable Entry Management panel with Brush Strips 1U



A bracket punched cutout can click-into two brush strips as cable entry to mount on a pair of mounting angles for dust protection and make-up front outlooking as a perfect system equipment. A tooth-hooks line for interior cable clamp straps to against mixing cable for reaching management control.

**Material:** Sheet Steel

**Finished:** powder coating in color  
RAL 7035 or RAL 9011

CLM Part No.	for mounting Angles	Pack No.	Set/ CTN
882066-19	1U X 19"	1	10
882066-21	1U X 21"	1	10
882066-23	1U X 23"	1	10
882066-24	1U X 24"	1	10

CLM Part No.	For Mounting Angles	Pack No.
882162-19	1U X 19"	1
882162-21	1U X 21"	1
882162-23	1U X 23"	1
882162-24	1U X 24"	1

## Cable Shunting Rings



This cable shunting ring has a sort of kind size for a flexible cable shunting strips. may be routed on the mounting angles at any side of using cable tie in line with a system equipment. According to the cable size and volume to do a selection in shunting ring. There are some of items for routing different cable

CLM Part No.	Dimension	Pack No.
	H X W X D mm	
612199-26	60 X 24 X 11.3	20
612199-45	50 X 40 X 11.3	20
612199-46	60 X 40 X 11.3	20
612199-48	80 X 40 X 11.3	20
612199-68	80 X 60 X 11.3	20

other version available as request

# Rails Sections



**Fixer**



882222-1U



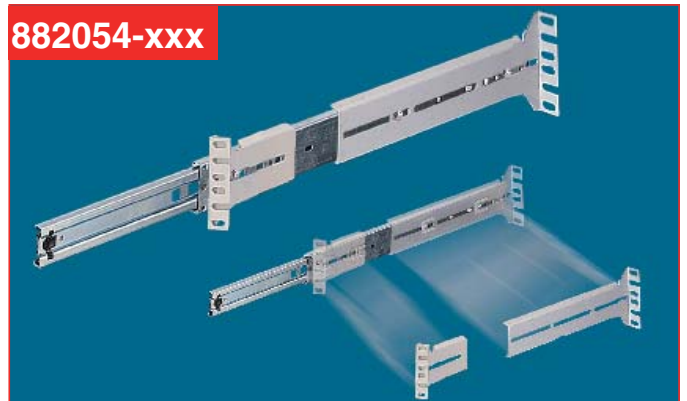
**2 Sections Server Rail for Even U**

**3 Sections Telescopic Server Ball-Bearing Rail for Even "U" Components**

**882052-xxx**



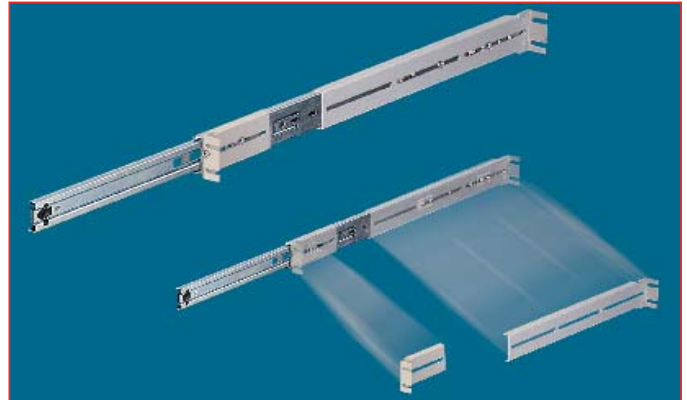
**882054-xxx**



**2 Sections Telescopic Server Ball-Bearing Rail for Odd "U" Components**

**3 Sections Telescopic Server Ball-Bearing Rail for ODD "U" Components**

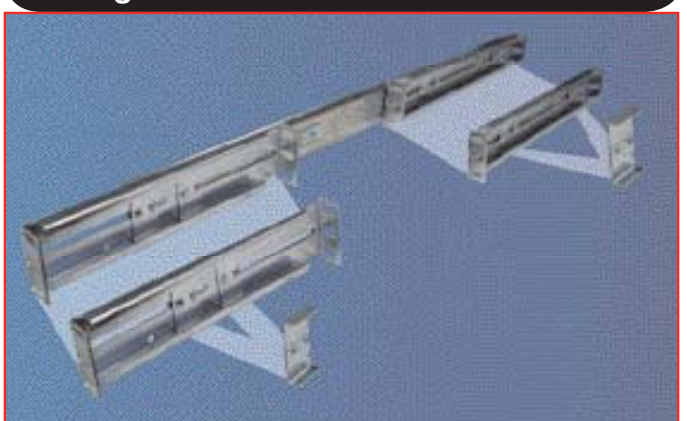
**882051-xxx**



**Odd Multi-Function Telescopic Ball-Bearing Server Rail**

**Even Multi-Function Telescopic Ball-Bearing Server Rail**

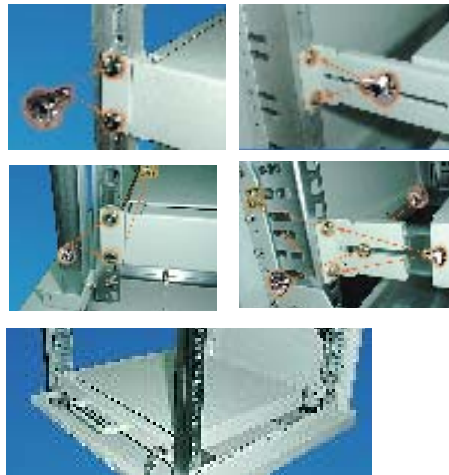
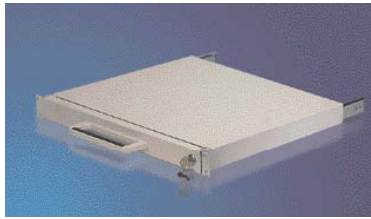
**882223-xxx**





# Drawers & Shelves

## Data Drawer 1U, 2U, 3U for 600mm Depth Rack



CLM Part No.	Height	Clearance Size	
		Width	Depth
882030-00	1U	448.2mm	400mm
882031-00	2U	448.2mm	400mm
882032-00	3U	448.2mm	400mm

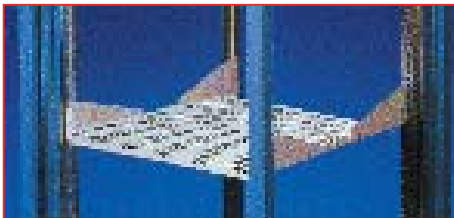
Bracket part No. see page No. of K2

For front fixing on 482.6mm(19") mounting angles. With cover and telescopic slide rail to accommodate assignments Data, CD-ROM, FDD, Components & Assembly tools with key-Lock.

**Material:** Sheet Steel I.E. Series

**Finish :** Powder coating in Color RAL7035 RAL9011

## Vented and adjustable Component shelf 2U, 4 Brackets, for installation mounting angles 482.6mm(19")



For mounting between 1 or 2 pairs of 482.6mm (19") mounting angles. 4-brackets design to reduce overlap component punched adjustable holes to match the different depth cabinet. Full Oval holes to increase heat-dissipation efficiency while putting components on the plate a spacer can be a stopper to stem a component dropping-down or totter.

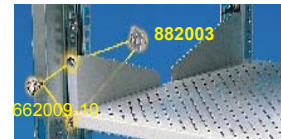
**Load capacity:** 25 kgs surface load, static

**Material:** Thickness sheet steel

**Supply Includes:**

1. CLM-612182-xxx Vented plate
2. 2 CLM-612056-01 Left Brackets
3. 2 CLM-612057-01 Right Brackets
4. Assembly parts

**Finished:** Powder Coating in color RAL7035, RAL9011



Adjustable Brackets for different Depth mounting Angles

**882060-xxx**



**882342-xxx**



**882026-xxx**



CLM Part No.	CLM Part No.	Width mm	Plate depth	Pack No.
882060-619	882026-619	19"	430-630	1
882060-719	882026-719	19"	530-730	1
882060-819	882026-819	19"	630-830	1
882060-919	882026-919	19"	730-930	1
882060-621	882026-621	21"	430-630	1
882060-721	882026-721	21"	530-730	1
882060-821	882026-821	21"	630-830	1
882060-921	882026-921	21"	730-930	1
882060-623	882026-623	23"	430-630	1
882060-723	882026-723	23"	530-730	1
882060-823	882026-823	23"	630-830	1
882060-923	882026-923	23"	730-930	1
882060-624	882026-624	24"	430-630	1
882060-724	882026-724	24"	530-730	1
882060-824	882026-824	24"	630-830	1
882060-924	882026-924	24"	730-930	1

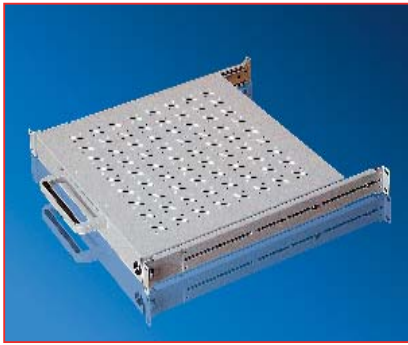
CLM Part No.	Width	Depth	Pack No.
882342-25	19"	250mm	1
882342-30	19"	300mm	1
882342-35	19"	350mm	1
882342-40	19"	400mm	1
882342-45	19"	450mm	1
882342-50	19"	500mm	1
882342-55	19"	550mm	1
882342-60	19"	600mm	1
882342-65	19"	650mm	1



Assembly Technical:

# Drawers & Keyboard drawers

Slide-in Component shelf 1U, with 1 pair of Telescopic Sliders for Mounting angles 482.6mm(19")



For mounting between 2 pairs of 482.6mm (19") mounting angles. Vented shelf integrated with a pair of Telescopic sliders design provides smooth touch & convenience usually put keyboard. Full oval holes plate to increase heat-dissipation efficiency while putting components on plate can use a spacer to be a stopper to stem for not dropping down or totter components.  
**Load capacity:** 25kgs surface

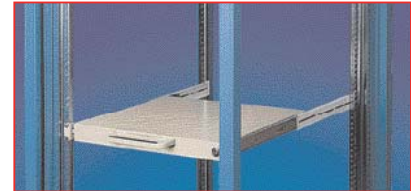
CLM Part No.	For Cabinet Depth
882025-06	(W)600X600(D)
882025-08	(W)600X800(D)

**Material:** sheet steel

**Supply Includes:**

- 1 CLM-612083-xx Vented plate
- 1 pair of CLM-882126-xx 2 section Telescopic slide Rails
- 1 pair of CLM-612097-xxx Rail Brackets(in Rear)
- 1 CLM-612105-xxx Right Bracket  
1 CLM-612106-xxx Left Bracket

**Finished:** Powder Coating in color RAL7035, RAL9011



## Optional Accessories

### 1U, Keyboard Drawer for 2 pair of mounting angles 19"(482.6mm)

- CLM-9110 drawer only
- CLM-911 drawer & IPC keyboard.
- CLM-912 drawer & IPC keyboard set & libra trackball set.
- CLM-913 drawer & Touchpad IPC keyboard set
- CLM-912-1 drawer & track Ball built-in wireless keyboard set
- CLM-9101 drawer with mouse PAD plate only
- CLM-9101-1 with mouse PAD plate & IPC keyboard set
- CLM-9101-2 drawer with mouse PAD plate & IPC keyboard & Mouse set

**Features:**

For mounting between 2 pair of mounting angles. The drawer built Telescopic sliders on both sides to put IPC keyboard in whilst operating computer system free-holding to key-in data stability.

**Material:** sheet steel

**Finished:** Powder Coating in color RAL7035(Beige) or RAL9011(Black) as request

CLM Part No.	IPC keyboard	TRACK BALL	Touchpad	Mouse
CLM-9110	X	X	X	X
CLM-911	•	X	X	X
CLM-912	•	•	X	X
CLM-913	•	X	•	X
CLM-912-1	wireless keyboard	•	X	X
CLM-9101	X	X	X	X
CLM-9101-1	•	X	X	X
CLM-9101-2	•	X	X	•



# Cooling Solutions



Mounting in Bottom Frame/ Plinth

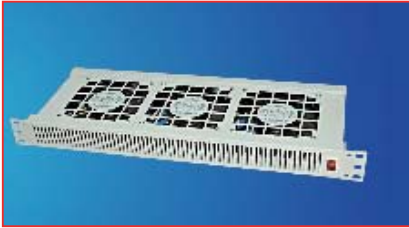


Front Mounting



Rear Mounting

## 1U Rack-mounted 3 fans for installation Mounting Angle 482.6 mm (19")



**Material:** Thickness Sheet Steel

**Supply Includes:** 1.1 CLM-612329-00 Top Guard Frame

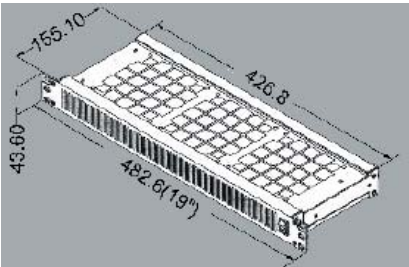
2. 1 CLM-612333-00 Bottom Guard Frame
3. 2 CLM-612325-00 Mounting Brackets
4. 1 CLM-612337-00 Front panel
5. 1 CLM-612338-00 Rear panel
6. 3 CLM-272001-15/23 115V or 230V AC-IN high Rotation Ball-Bearing monitoring fans (see page of K41)
7. 1 CLM-312007-00 I/O switch with red Button(see page of K41)
8. 1 CLM-312016-75 Power socket with cable 750Lmm(see page of K41)
9. 1 CLM-312013-00 Connection cable(see page of K41)
10. Assembly parts

**Fan specification see page No.E67**

**Finished:** Powder coating in color RAL7035 or RAL9011

Patent Pending in Taiwan , China , USA , Germany

CLM Part No.	Width mm	Set of
882170-00	19"	1



882171-xxx



882172-xxx



882173-xxx

## Active fan 3U for mounting angle 482.6mm

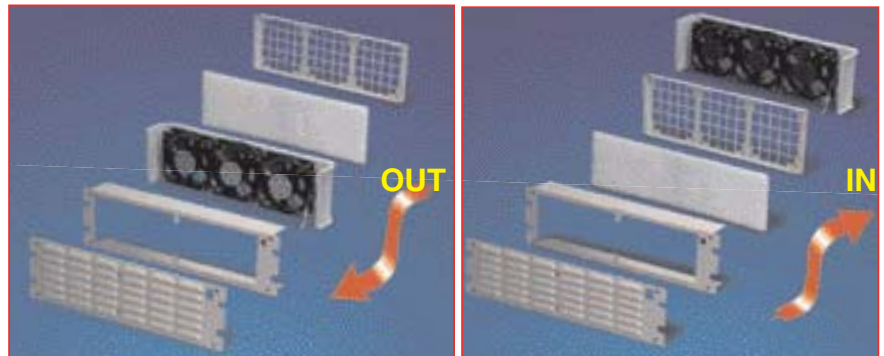


powerful axial fans can be installed in either a "blowing" or "extracting" arrangement. The rain canopy function of the ventgrille protects against both mechanical damage and penetrating dampness.

A Guide frame hood to achieve protection category is easy for making filter change. The design Active fan units boast a decisive advantage—the quick-fit assembly system for fan and filter units and outlet filters simply snap into place and voila.

Part No.CLM	Operating voltage	Air	Pack No.
882046-515	115V	Out	1
882046-523	230V	Out	1
882046-615	115V	IN	1
882046-623	230V	IN	1

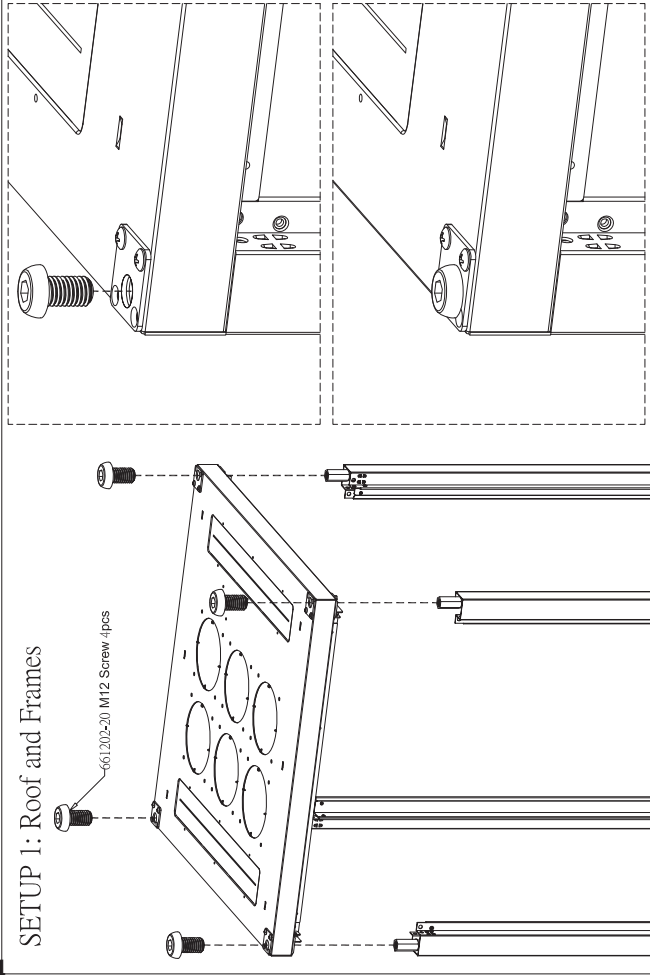
**Fan specification see page No.E67**



Air blow in-out direction

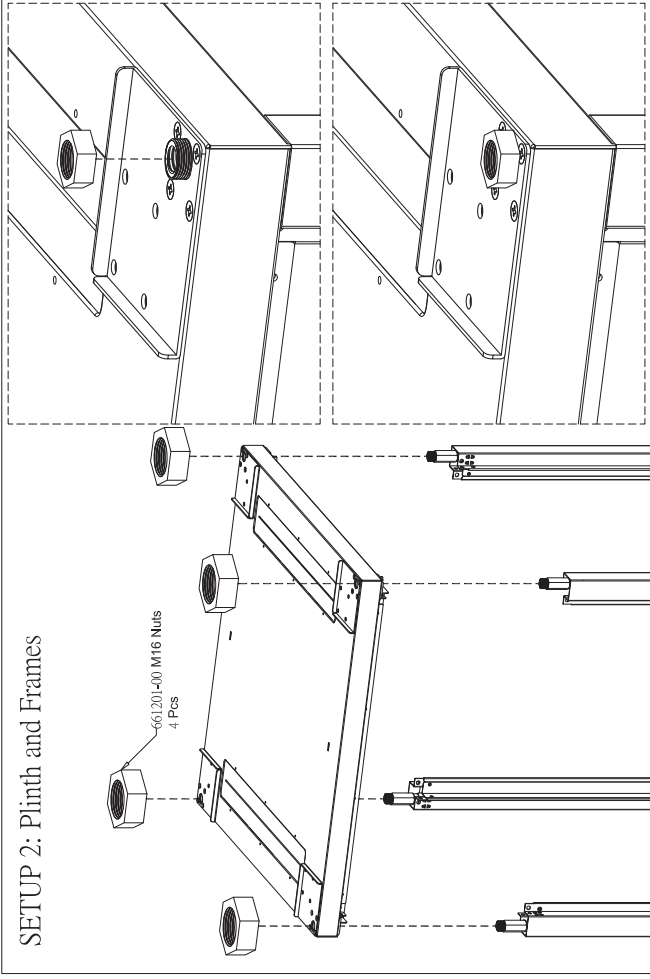
SETUP 1: Roof and Frames

661202-20 M12 Screw 4pcs



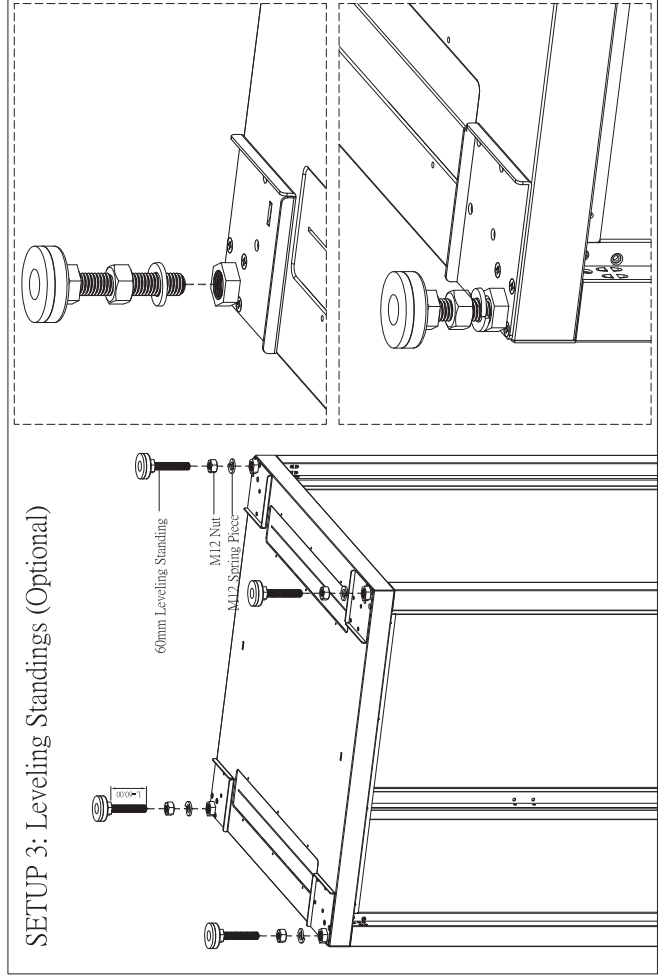
SETUP 2: Plinth and Frames

661201-400 M16 Nuts  
4 Pcs

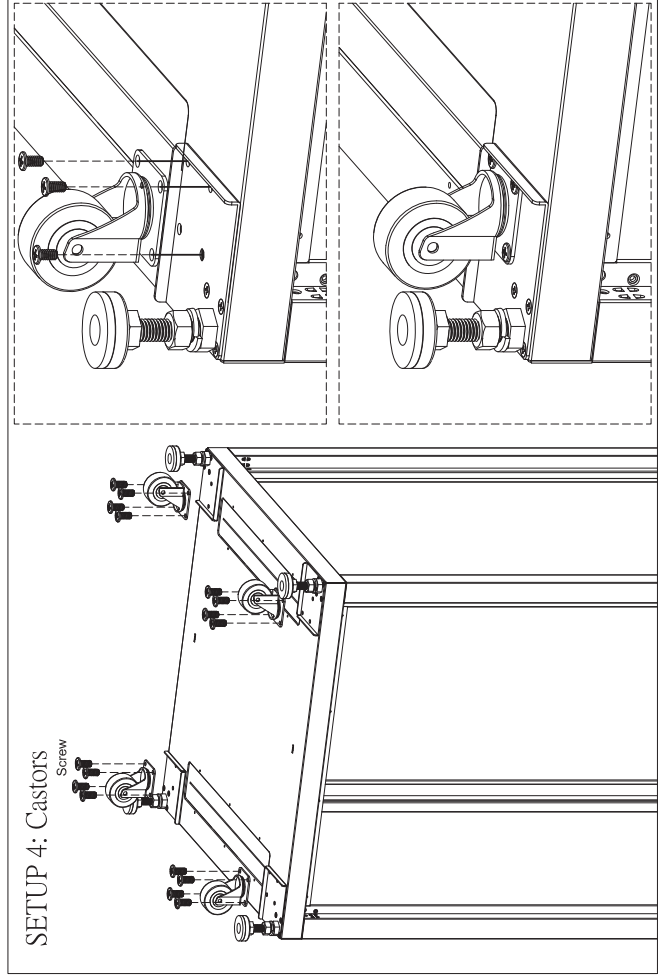


SETUP 3: Leveling Standings (Optional)

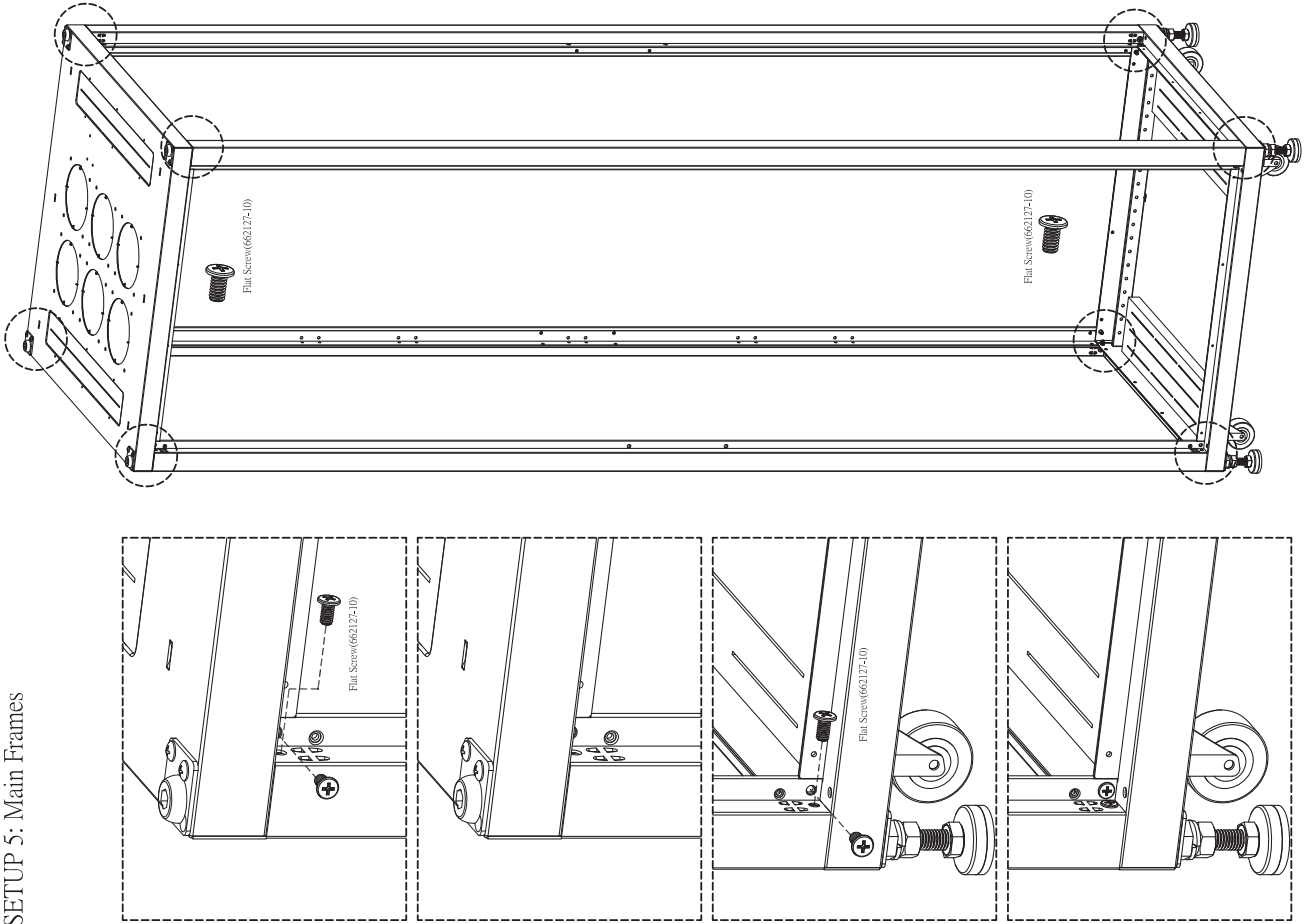
60mm Leveling Standing  
M12 Nut  
M12 Spacing Piece



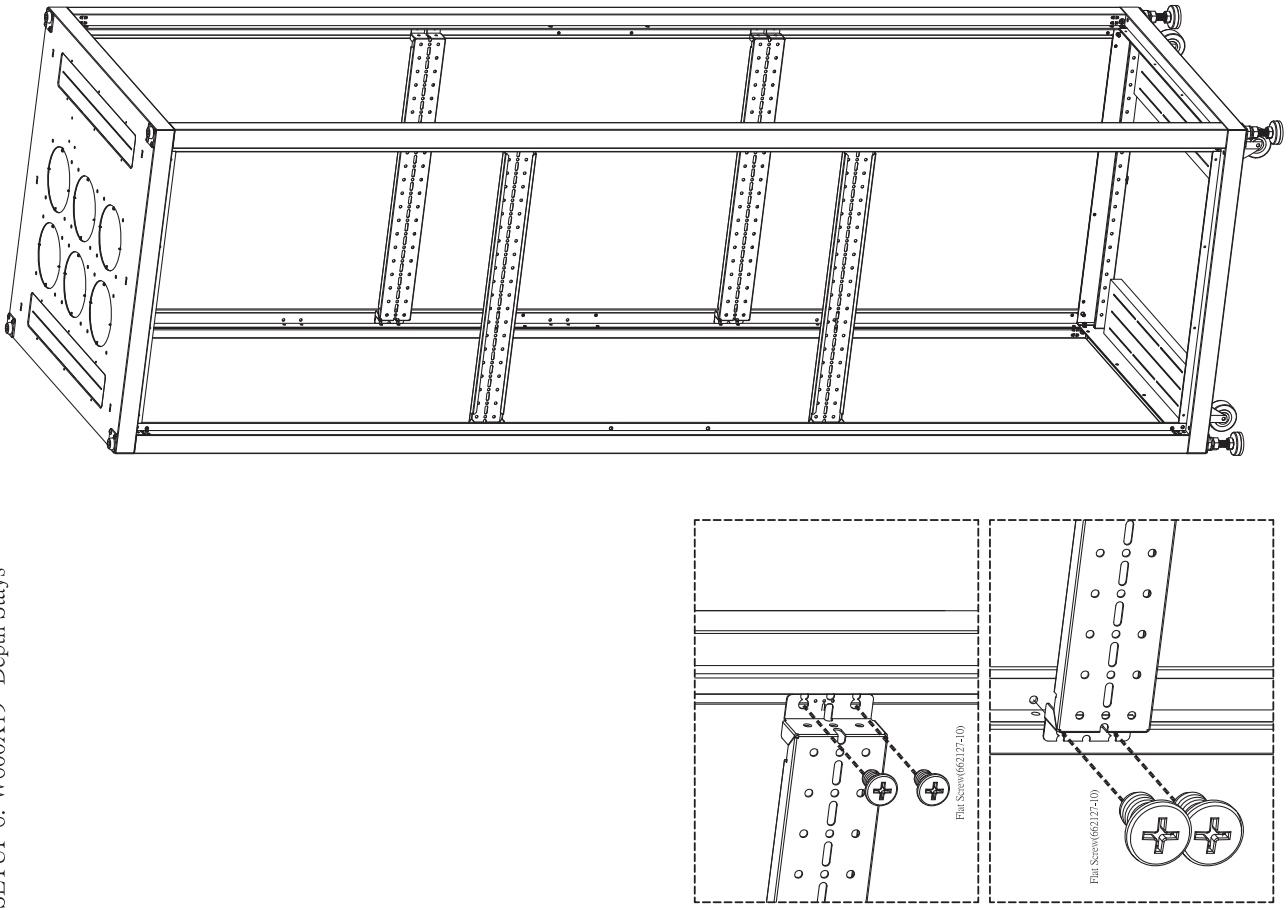
SETUP 4: Castors  
Screw



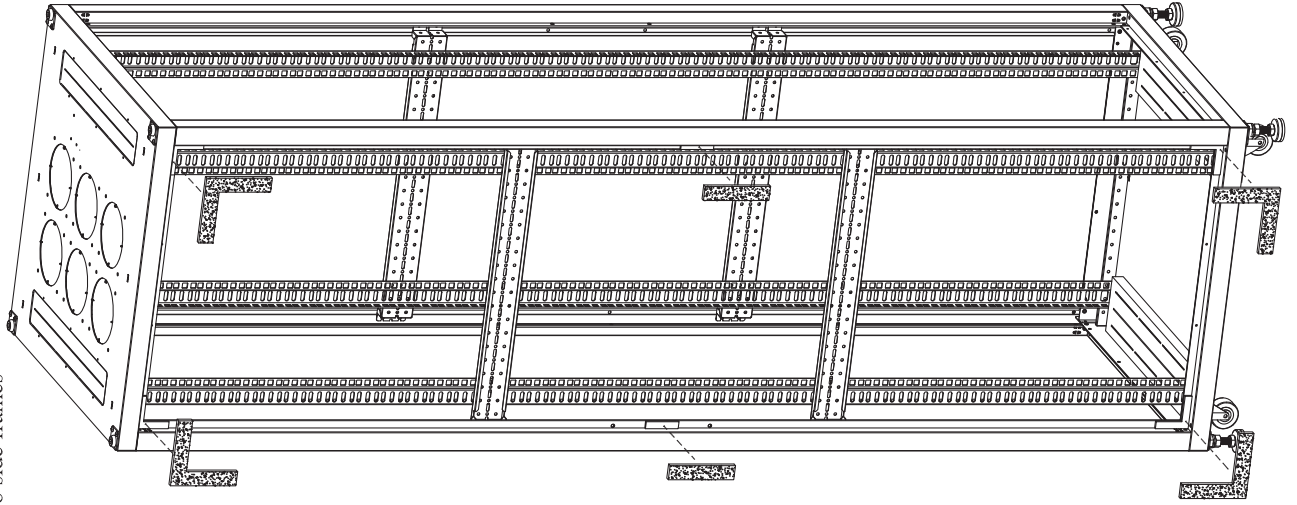
SETUP 5: Main Frames



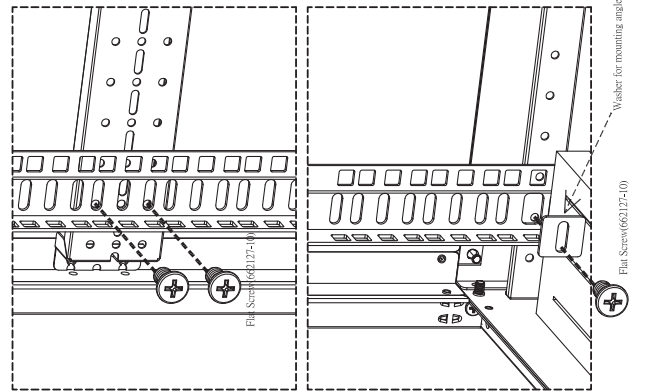
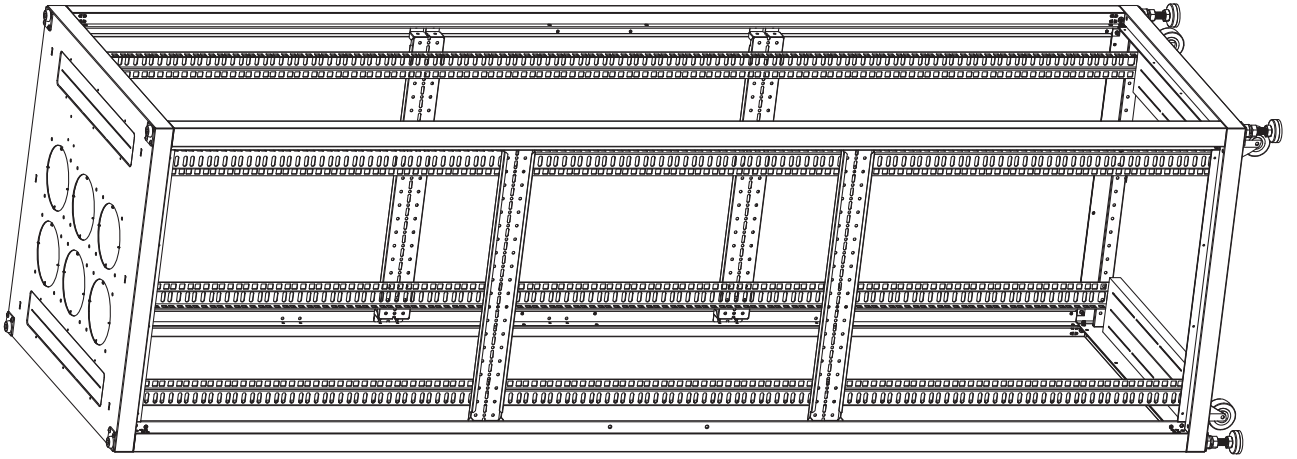
SETUP 6: W600X19" Depth Stays



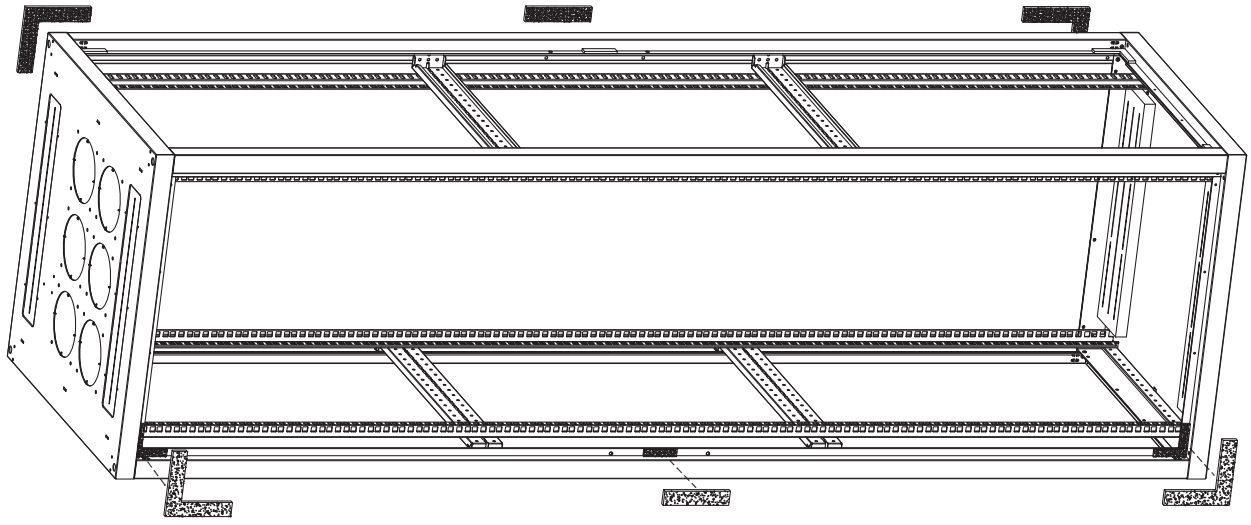
SETUP 8: Foams on two side frames



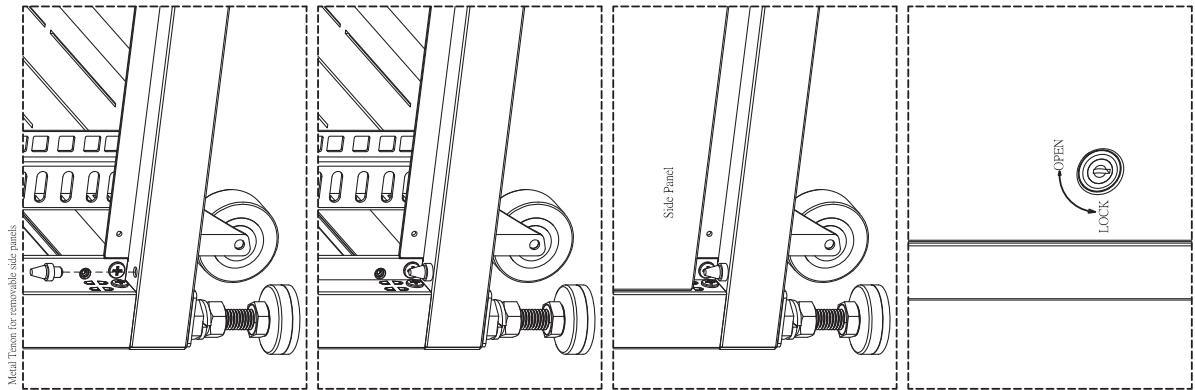
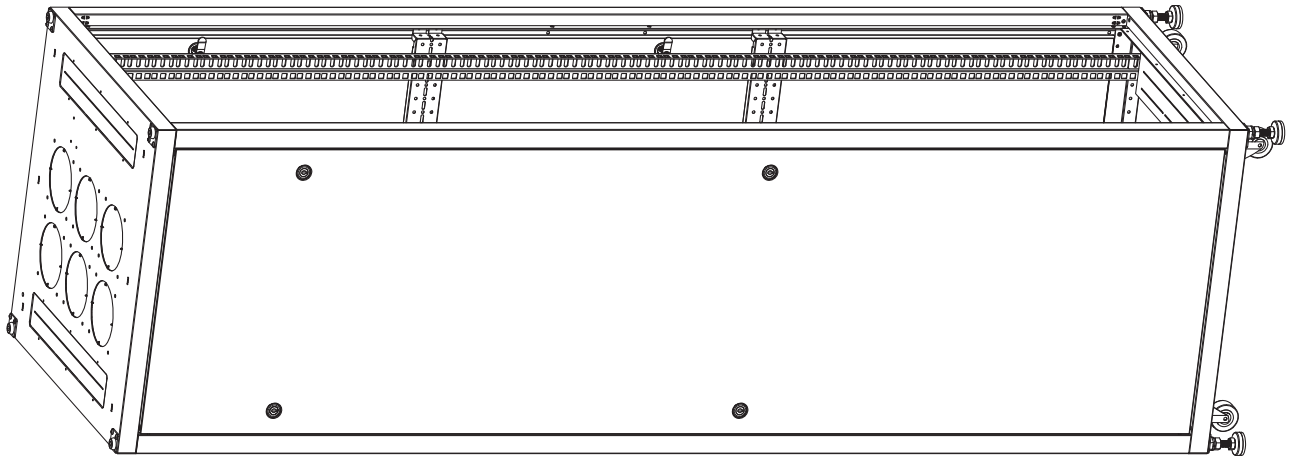
SETUP 7: F-shaped Mounting Angles



SETUP 10: Foams on the front and rear sides



SETUP 9: Side Panels

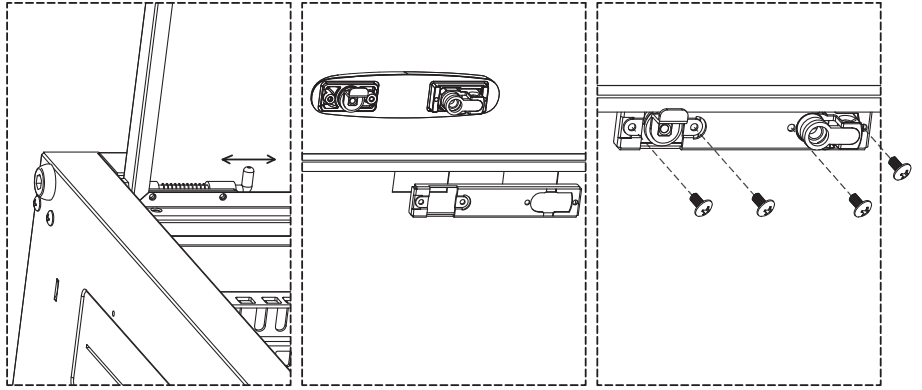
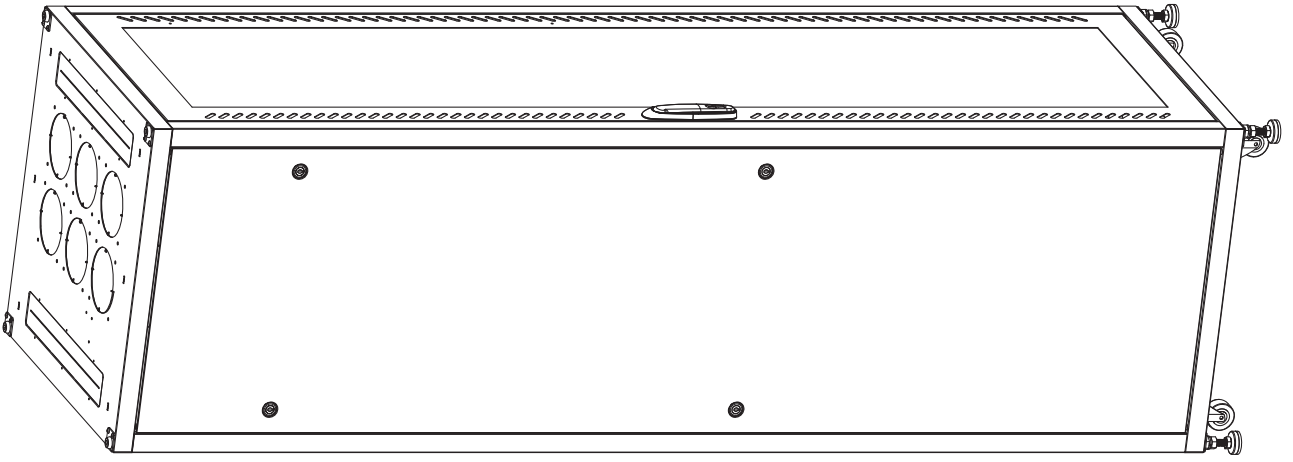


Mount T-nuts for removable side panels.

Side Panel

OPEN  
LOCK

SETUP 12: Front Door



SETUP 11: Rear Door

